

The PE-154BS is certified according to the European Standard EN 54-24: 2008, the International Standard ISO 7240-24: 2010 and in compliance with the British Standard BS 5839-8: 2008 14.8. DoP number is 20-002.

DESCRIPTION

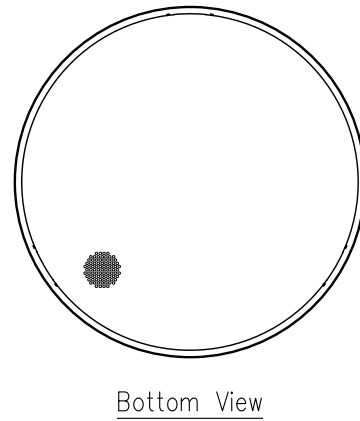
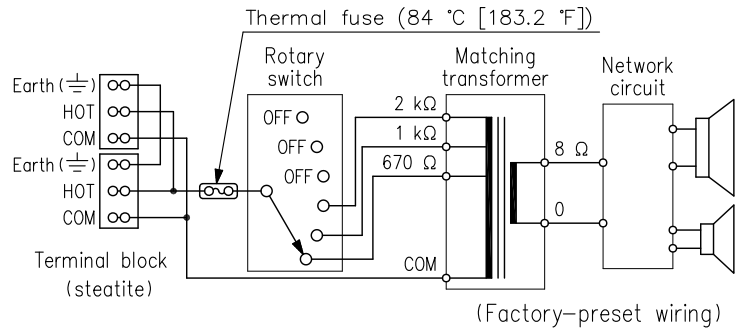
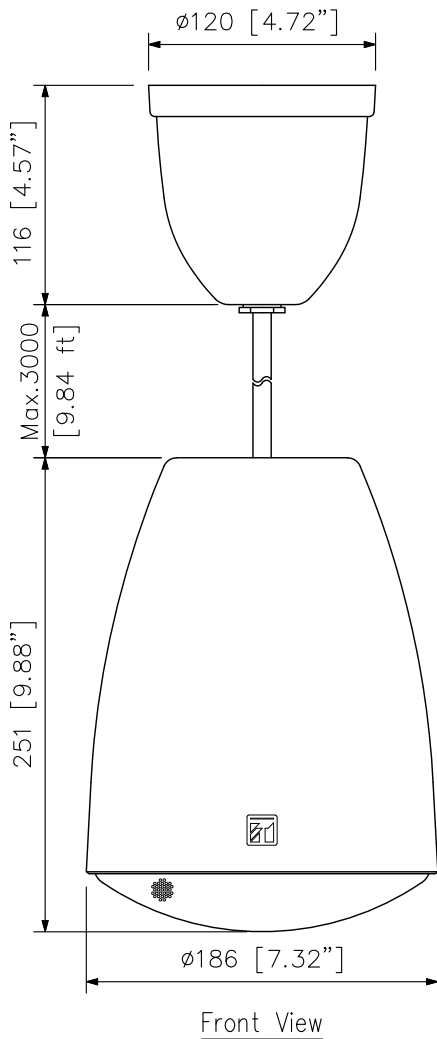
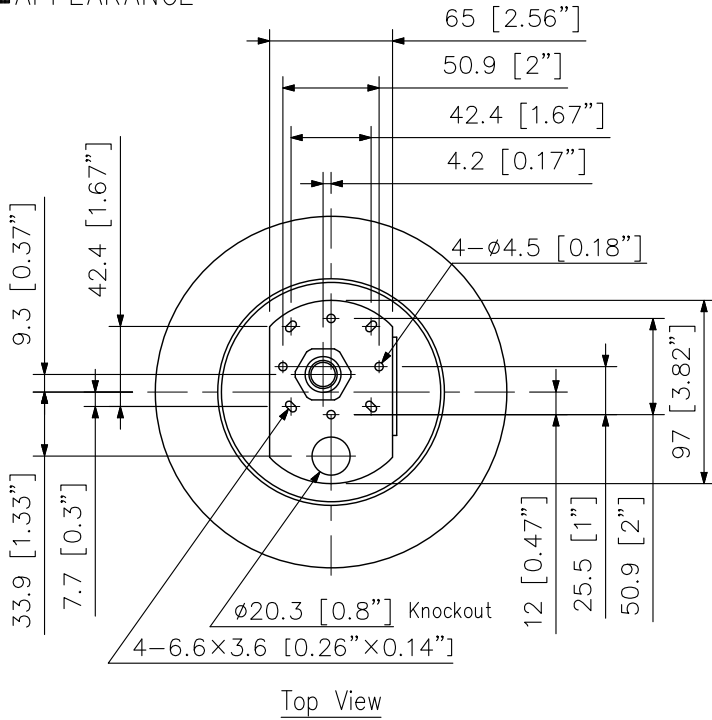
The PE-154BS is the voice alarm certification product.
 2 way speaker system is suitable for announcement and music use in wide frequency range.
 Stylish and outstanding design inspired by the finest lighting fixtures.
 A directly attached sturdy suspension cable is extendable up to 3 meters.

SPECIFICATIONS

Rated Noise Power	15 W (100 V line), 7.5 W (70 V line)
Rated Impedance	100 V line: 670 Ω (15 W), 1 kΩ (10 W), 2 kΩ (5 W) 70 V line: 670 Ω (7.5 W), 1 kΩ (5 W), 2 kΩ (2.5 W)
Sensitivity	91 dB (1 W, 1 m) (500 Hz - 5 kHz, pink noise) ----- 87 dB (1 W, 1 m) (100 Hz - 10 kHz, pink noise) 75 dB (1 W, 4 m) (100 Hz - 10 kHz, pink noise)
Maximum Sound Pressure Level	99 dB (15 W, 1 m) (100 Hz - 10 kHz, pink noise) 87 dB (15 W, 4 m) (100 Hz - 10 kHz, pink noise)
Frequency Response	70 Hz - 20 kHz
Coverage Angle	Horizontal and Vertical: 360° (500 Hz), 170° (1 kHz), 90° (2 kHz), 70° (4 kHz)
Environmental Type	A (indoor applications)
Speaker Component	Low frequency: 12 cm (5") cone-type High frequency: 2.5 cm (1") balanced dome tweeter
Operating Temperature	-10 °C to +50 °C (14 °F to 122 °F)
Speaker Mounting Method	Ceiling suspension
Cable Gland	Size: PG 13.5 One cable gland is factory-installed. For bridge connection, one cable gland can be added.*
Speaker Cable	4-core fireproof cable 3 m (9.84 ft)
Applicable Cable Size	Outer diameter: Ø6.5-12.5 mm Conductor: Solid wire or 7-core wire 0.8 - 7 mm ² (AWG18-AWG9) for solid wire, 0.8 - 4 mm ² (AWG18-AWG11) for 7-core wire
Cable Connection	Screw terminal (steatite) x 2
Finish	Enclosure: HIPS resin, off-white (RAL 9010 or equivalent color) Grille: Surface-treated steel plate net, off-white(RAL 9010 or equivalent color), paint
Dimensions	Ø186 X 251 (H) mm (Ø7.32" X 9.88") (speaker only)
Weight	2.33 kg (5.14 lb) (speaker only)
Accessory	Ceiling bracket---1, Mounting hanger---1, Ceiling cover---1, Ceiling bracket mounting screw (tapping screw 4 x 16)---4

*Suppliable cable gland's part cord and name: 525-52-011-70 Cable gland AVC PGB13.5-12 (GRY)

■ APPEARANCE



UNIT:mm SCALE:1/4