

The BS-1034EN is certified according to the European Standard EN 54-24: 2008 and the International Standard ISO 7240-24: 2010. DoP number is 20-008.

DESCRIPTION

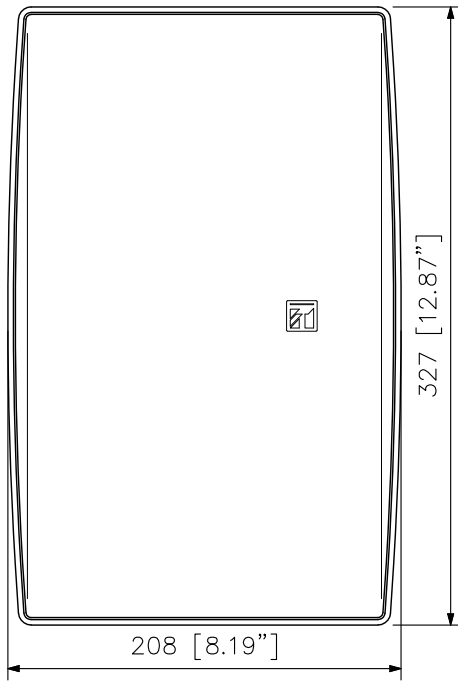
The BS-1034EN is the voice alarm certification product.
 2 way speaker system is suitable for announcement and music use in wide frequency range.
 Speaker design that harmonize with the venue's architecture and decor.
 The speaker enclosure's design proportions are based on the Golden Ratio.
 The BS-1034EN is wall-mount speaker matched with a supplied plug-in speaker receptacle, for easy installation.
 An M4 screw terminal input connector allows easy connections.

SPECIFICATIONS

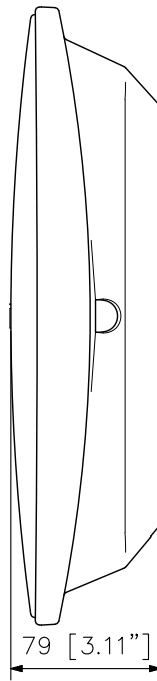
Rated Noise Power	10 W (100 V line and 70 V line)
Rated Impedance	100 V line: 1 kΩ (10 W), 2 kΩ (5 W), 3.3 kΩ (3 W), 10 kΩ (1 W) 70 V line: 500 Ω (10 W), 1 kΩ (5 W), 2 kΩ (2.5 W), 3.3 kΩ (1.5 W), 10 kΩ (0.5 W)
Sensitivity	89 dB (1 W, 1 m) (500 Hz - 5 kHz, pink noise) 86 dB (1 W, 1 m) (100 Hz - 10 kHz, pink noise) 74 dB (1 W, 4 m) (100 Hz - 10 kHz, pink noise)
Maximum Sound Pressure Level	94 dB (10 W, 1 m) (100 Hz - 10 kHz, pink noise) 82 dB (10 W, 4 m) (100 Hz - 10 kHz, pink noise)
Frequency Response	120 Hz - 20 kHz
Coverage Angle (*1)	Horizontal: 360° (500 Hz), 150° (1 kHz), 115° (2 kHz), 100° (4 kHz) Vertical: 300° (500 Hz), 130° (1 kHz), 160° (2 kHz), 80° (4 kHz)
Environmental Type	A (indoor applications)
Speaker Component	Low frequency: 12 cm (5") cone-type High frequency: 2.5 cm (1") balanced dome tweeter
Operating Temperature	-10 °C to +50 °C (14 °F to 122 °F)
Speaker Mounting Method	Wall-mount
Applicable Cable Size	Outer diameter: Max. ø9 mm (for exposed wiring), ø6.5 - 12.5 mm (for in-wall wiring) Conductor: Solid wire or 7-core wire 0.8 - 2 mm ² (AWG18-AWG14) for solid wire, 0.8 - 1.5 mm ² (AWG18-AWG15) for 7-core wire
Cable Connection	Screw terminal, can be bridge-connected
Finish	Enclosure: HIPS resin (fire resistant grade UL94 V-0), off-white (RAL 9010 or equivalent color) Grille: surface treated steel plate, off-white (RAL 9010 or equivalent color), paint
Dimensions	208 (W) x 327 (H) x 79 (D) mm (8.19" x 12.87" x 3.11")
Weight	1.4 kg (3.09 lb)
Accessory	Speaker receptacle...1, Wall mounting screw (tapping screw 4 x 35)...2, Terminal block (with thermal fuse)...1

(*1) Declared value according to EN 54-24
 Horizontal: 290° (500 Hz), 160° (1k Hz), 125° (2k Hz), 100° (4 kHz)
 Vertical: 180° (500 Hz), 150° (1 kHz), 135° (2 kHz), 65° (4 kHz)

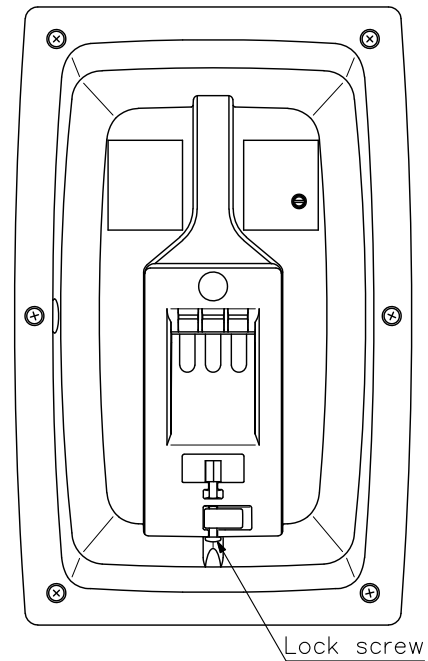
■ APPEARANCE



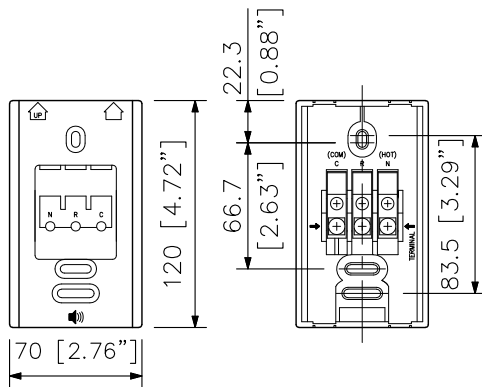
Front View



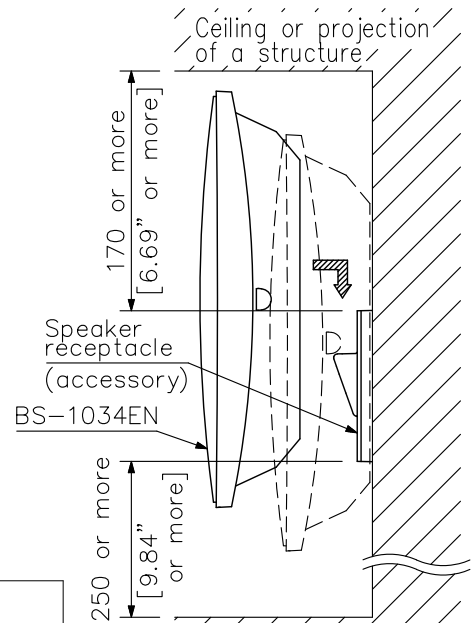
Side View



Rear View

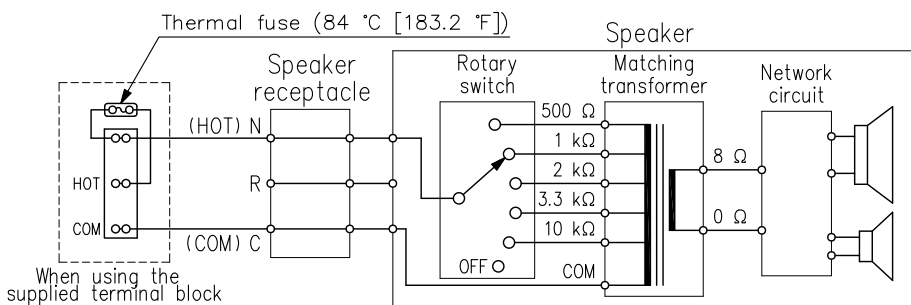


Enlarged view of speaker receptacle



Note: As a force of approx. 18 kg (39.68 lb) is applied to the speaker receptacle at the time of speaker installation, attach it in a location durable enough to withstand the force.

Installation view (scale: 1/6)



(Factory-preset wiring)
Note: Never connect to the 500 Ω in a 100 V line system.

Wiring Diagram

UNIT:mm SCALE:1/4